



PREMIER PUMP & SUPPLY, INC.

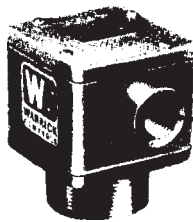
PROVIDING YOU WITH THE VERY BEST SERVICE IN THE INDUSTRY!



ACCESSORIES



DESCRIPTION	LIST
3W2 SS ELECTRODE	37.50

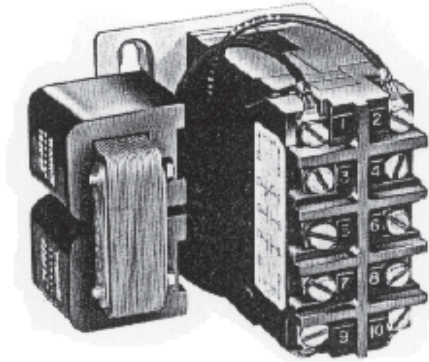


DESCRIPTION	LIST
3E1B BRASS PROBE HOLDER	178.00
3E2B BRASS PROBE HOLDER	251.00
3E3B BRASS PROBE HOLDER	326.00



PREMIER PUMP & SUPPLY, INC.

PROVIDING YOU WITH THE VERY BEST SERVICE IN THE INDUSTRY!

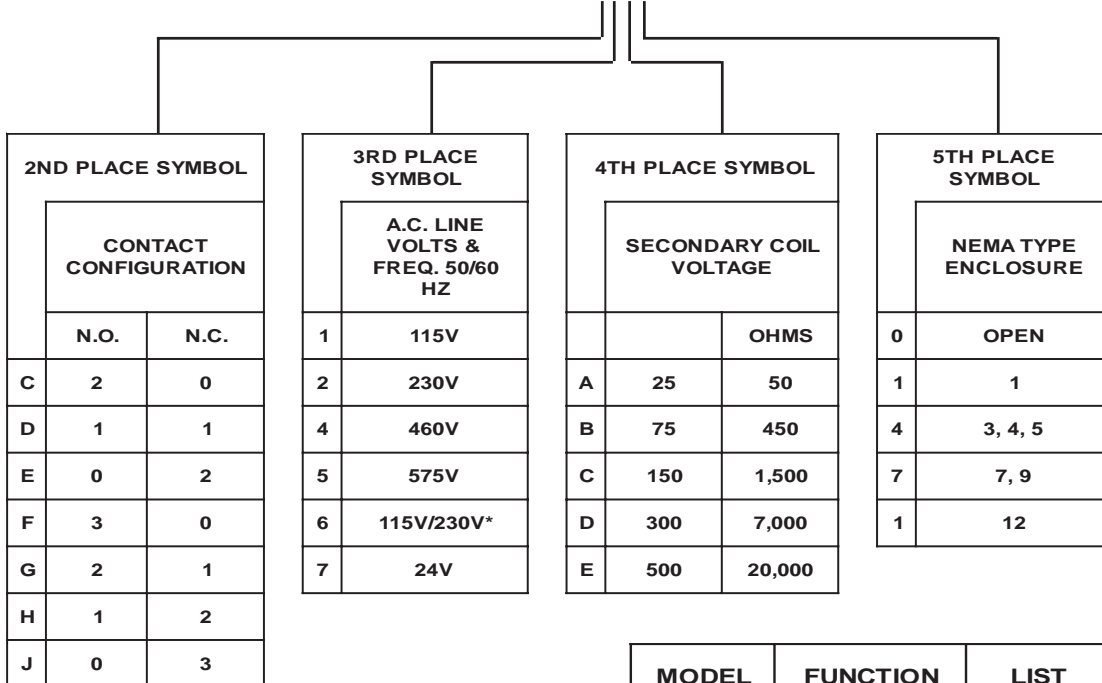


PRODUCT NOTE:

This Series 1 Control is being discontinued by the Mfg. When parts run out they will no longer manufacture this item.

SERIES 1 CONTROLS

ORDER BY COMPONENT NUMBER -----1XXXX



MODEL	FUNCTION	LIST
1F1D0 1F2D0 1F4D0	PUMP DOWN	CALL
1G1D0 1G2D0 1G4D0 1G6D0	P / U OR P / D	CALL

MODEL	FUNCTION	LIST
1C1D0 1C2D0 1C4D0	PUMP DOWN	CALL
1D1D0 1D2D0 1D4D0	PUMP UP	CALL
1H1D0 1H2D0 1H4D0	PUMP UP	CALL

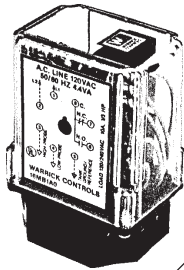
PAGE L - 2
APRIL - 2011

*CHICO- (800) 342-6022 FAX (530) 342-6636 *FRESNO (800) 538-4100 FAX (559) 834-6800
 *RANCHO CORDOVA (800) 248-5225 FAX (916) 638-0344 *SANTA ROSA (888) 899-3565 FAX (707) 573-0308
 *TURLOCK (866) 669-0220 FAX (209) 669-0202 *SAN BERNARDINO (877) 796-8181 FAX (909) 799-8118



PREMIER PUMP & SUPPLY, INC.

PROVIDING YOU WITH THE VERY BEST SERVICE IN THE INDUSTRY!



DESCRIPTION	VOLTAGE	LIST
16MB1A0	115V	236.00
PC-100-LLC-GM	115V	175.00
16MB2A0	230V	257.00
PC-200-LLC-GM	230V	175.00

PC UNITS ARE A DIRECT PIN FOR PIN REPLACEMENT MANUFACTURED BY SYMCOM

ORDER BY COMPONENT NUMBER ----- 16MXXXX

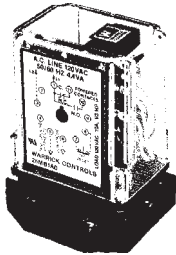
4TH PLACE SYMBOL	
DIRECT	SENSITIVITY
A	4.7K
B	10K
C	26K
D	50K
E	100K
F	470K
G	1M

5TH PLACE SYMBOL	
	SUPPLY VOLTAGE:
1	120 VAC
2	240 VAC
3	24 VAC

6TH PLACE SYMBOL	
	SOCKET STYLE:
*A	OCTAL
B	DIN MOUNT
M	NONE MODULE ONLY

7TH PLACE SYMBOL	
	ENCLOSURE:
0	NONE
1	NEMA 1
4	NEMA 4
7	NEMA 7
12	NEMA 12

*16M - 8 PIN OCTAL SOCKET



DESCRIPTION	VOLTAGE	LIST
16VMB1A0	115V	304.00
16VMB2A0	230V	324.00

ORDER BY COMPONENT NUMBER ----- 16VMXXXX

5TH PLACE SYMBOL	
DIRECT	SENSITIVITY
A	4.7K
B	10K
C	26K
D	50K
E	100K
F	470K
G	1M

6TH PLACE SYMBOL	
	SUPPLY VOLTAGE:
1	120 VAC
2	240 VAC
3	24 VAC

7TH PLACE SYMBOL	
	SOCKET SIZE:
A	11 PIN OCTAL
B	DIN MOUNT
M	NONE, MODULE ONLY

8TH PLACE SYMBOL	
	ENCLOSURE:
0	NONE
1	NEMA 1
4	NEMA 4
7	NEMA 7
12	NEMA 12

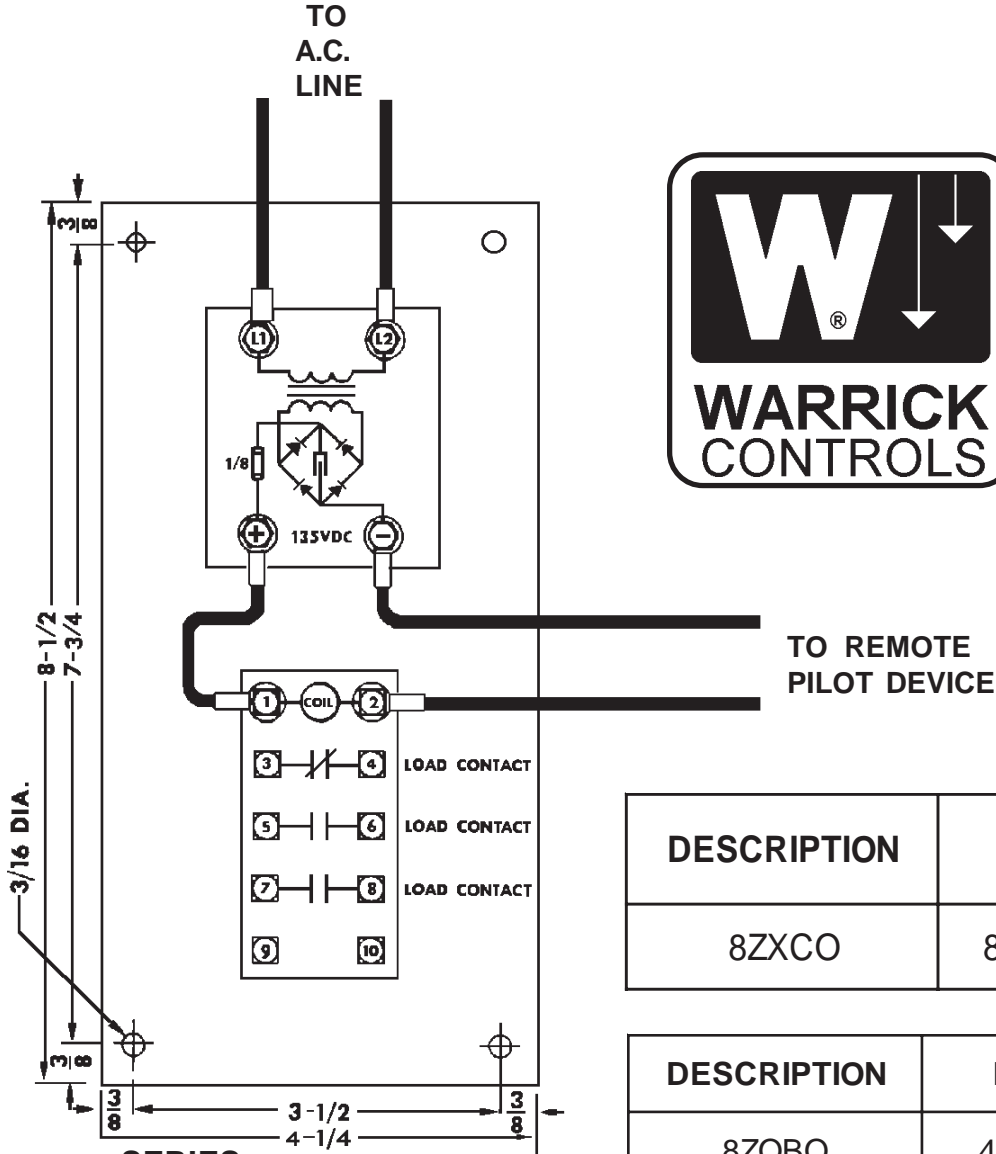
PAGE L -3
APRIL - 2011



PREMIER PUMP & SUPPLY, INC.

PROVIDING YOU WITH THE VERY BEST SERVICE IN THE INDUSTRY!

**LIMITED SUPPLIES ON HAND
GEMS SENSORS IS DISCONTINUING THIS ITEM**



**SERIES
8ZXCX CONTROL**

ENCLOSURE TYPE
0 - OPEN CONTROL
1 - NEMA - 1 (GENERAL PURPOSE)

SUPPLY LINE VOLTAGE
1 - 115 VOLTS, 60HZ
2 - 230 VOLTS, 60HZ
4 - 480 VOLTS 60HZ

DESCRIPTION	LIST
8ZXC0	832.00

DESCRIPTION	LIST
8ZOBO	428.50
8ZXAO	428.50

PAGE L - 4
APRIL - 2011

*CHICO- (800) 342-6022 FAX (530) 342-6636 *FRESNO (800) 538-4100 FAX (559) 834-6800
*RANCHO CORDOVA (800) 248-5225 FAX (916) 638-0344 *SANTA ROSA (888) 899-3565 FAX (707) 573-0308
*TURLOCK (866) 669-0220 FAX (209) 669-0202 *SAN BERNARDINO (877) 796-8181 FAX (909) 799-8118



PREMIER PUMP & SUPPLY, INC.

PROVIDING YOU WITH THE VERY BEST SERVICE IN THE INDUSTRY!

SJE™ S.J. ELECTRO SYSTEMS, INC.



FLOAT SWITCHES

NEW PART #	OLD PPS PART #	HP / VOLTS	CONNECTION	CORD LENGTH	CONTACTS	LIST PRICE
15PMDWOP	A2-9M	1/2HP @ 120V / 1HP @ 230V	NO PLUG	15'	N/O	60.50
20PMDWOP	A2-9M2	1/2HP @ 120V / 1HP @ 230V	NO PLUG	20'	N/O	64.00
30PMDWOP	A2-9M3	1/2HP @ 120V / 1HP @ 230V	NO PLUG	30'	N/O	71.50
15PMUWOP	A2-10M	1/2HP @ 120V / 1HP @ 230V	NO PLUG	15'	N/C	60.50
20PMUWOP	A2-10M2	1/2HP @ 120V / 1HP @ 230V	NO PLUG	20'	N/C	64.00
30PMUWOP	A2-10M3	1/2HP @ 120V / 1HP @ 230V	NO PLUG	30'	N/C	71.50
15PMPD1WP	A2-5M	3/4HP @ 120V / 2HP @ 230V	115V PLUG	15'	N/O	91.00
20PMPD1WP	A2-5M2	3/4HP @ 120V / 2HP @ 230V	115V PLUG	20'	N/O	95.00
30PMPD1WP	A2-5M3	3/4HP @ 120V / 2HP @ 230V	115V PLUG	30'	N/O	103.50
15PMPD2WP	A2-6M	3/4HP @ 120V / 2HP @ 230V	230V PLUG	15'	N/O	93.50
20PMPD2WP	A2-6M2	3/4HP @ 120V / 2HP @ 230V	230V PLUG	20'	N/O	97.50
30PMPD2WP	A2-6M3	3/4HP @ 120V / 2HP @ 230V	230V PLUG	30'	N/O	106.00
15PMPDWOP	A2-7M	3/4HP @ 120V / 2HP @ 230V	NO PLUG	15'	N/O	83.50
20PMPDWOP	A2-7M2	3/4HP @ 120V / 2HP @ 230V	NO PLUG	20'	N/O	87.00
30PMPDWOP	A2-7M3	3/4HP @ 120V / 2HP @ 230V	NO PLUG	30'	N/O	95.50
15PMPUWOP	A2-8M	3/4HP @ 120V / 2HP @ 230V	NO PLUG	15'	N/C	83.50
15PMSPDWOP	A2-19M	1/2HP @ 120V / 1HP @ 230V	NO PLUG	15'	N/O,N/C	67.00
20PMSPDWOP	A2-19M2	1/2HP @ 120V / 1HP @ 230V	NO PLUG	20'	N/O,N/C	71.00
30PMSPDWOP	A2-19M3	1/2HP @ 120V / 1HP @ 230V	NO PLUG	30'	N/O,N/C	74.50
20AMDWOP	A2-20M	1-1/2HP @ 120V / 3HP @ 230V	NO PLUG	20'	N/O	121.00
15SGMWENO	A2-3	5 AMP 125/230V	NO PLUG	15'	N/O	49.00
10VM1WP	10VM1WP	1/2HP @ 120V / 1HP @ 230V	115V PLUG	10'	N/O	67.00
20VM1WP	20VM1WP	1/2HP @ 120V / 1HP @ 230V	115V PLUG	20'	N/O	73.00
CABLE WEIGHT	SJE-FW	N/A	N/A	N/A	N/A	10.60

APPLICATIONS

THE MECHANICALLY ACTIVATED SJE PUMPMASER / PUMPMASER PLUS PUMP SWITCH PROVIDES AUTOMATIC CONTROL OF PUMPS IN WATER AND SEWAGE APPLICATIONS. SJE PUMPMASER PUMP SWITCH IS CAPABLE OF DIRECTLY CONTROLLING PUMPS OF UP TO 1/2 HP 120V AND 1 HP 230V. SJE PUMPMASER PUMP SWITCH IS DESIGNED TO EFFICIENTLY OPERATE IN APPLICATIONS WITH LIMITED SPACE, SUCH AS SMALL SUMP CHAMBERS AND LAUNDRY TRAYS, AS WELL AS IN LARGE TANK APPLICATIONS. THE SJE PUMPMASER PUMP SWITCH IS RECOMMENDED FOR USE IN BOTH CALM AND TURBULENT CONDITIONS.

SPECIFICATIONS

CORD: FLEXIBLE 16 GAUGE, 3 CONDUCTOR SJOW-A (UL), SJOW (CSA) WATER-RESISTANT, (CPE) NEOPRENE.
 FLOAT: 3.05 INCH (7.75CM) DIAMETER X 3.56 INCH (9.07CM) LONG, IMPACT RESISTANT, NON-CORROSIVE PVC PLASTIC FOR USE IN LIQUIDS UP TO 140F (60C).

*TESTED PER UL 508 INDUSTRIAL CONTROL EQUIPMENT
 NOTE: THIS PUMP SWITCH MUST BE USED ONLY WITH PUMPS EQUIPPED WITH INTEGRAL THERMAL OVERLOAD PROTECTION.

PAGE L - 5
 JUNE - 2011



SJETM S.J. ELECTRO SYSTEMS, INC.

**SJE-RHOMBUS PUMP PANELS
 &
 ALARMS**



SES CONTROL PANELS				
ORDER NUMBER	SPECS	VOLTAGE / AMP	ENCLOSURE	PRICE
1121W114H17A	SINGLE PHASE-SIMPLEX PANEL	120/208/240 7-15 AMPS	NEMA-4X	708.00
1121W124H17A	SINGLE PHASE-SIMPLEX PANEL	120/208/240 15-20 AMPS	NEMA-4X	708.00
1221W114H17A	SINGLE PHASE-DUPLEX PANEL	120/208/240 7-15 AMPS	NEMA-4X	1127.00
1221W124H17A	SINGLE PHASE-DUPLEX PANEL	120/208/240 15-20 AMPS	NEMA-4X	1127.00
TANK ALERT ALARMS				
101-01H (A4-2)	HIGH WATER	120V	NEMA-1	137.50
TAXT-01H (A4-2R)	HIGH WATER	120V	NEMA-3R	202.00
TAXT-01L	LOW WATER	120V	NEMA-3R	202.00
TAXT-01X	NO / FLOAT	120V	NEMA-3R	162.50
SONOMA COUNTY APPROVED PANEL				
CP11-203	SINGLE PHASE SIMPLEX PANEL	230V	NEMA-4X CLEAR COVER	945.00



PREMIER PUMP & SUPPLY, INC.
 PROVIDING YOU WITH THE VERY BEST SERVICE IN THE INDUSTRY!

PumpSaver®
 SUBMERSIBLE PUMP PROTECTOR

IDEAL FOR SUBMERSIBLE PUMPS

STATE - OF - THE ART PUMP PROTECTION

PROTECTS SINGLE - PHASE PUMPS FROM:

- ~DRY WELL
- ~FLOW RESTRICTIONS (DEAD HEAD)
- ~OVERCURRENT (JAMMED IMPELLER)
- ~OVERVOLTAGE
- ~UNDERVOLTAGE
- ~RAPID CYCLING



ADDITIONAL DIAGNOSTIC FEATURE

- ~DIAGNOSTIC TOOL COMMUNICATIONS



THE MODEL 111 PROTECTS 1/3 TO 1 HORSEPOWER, 115 VOLT PUMPS, THE MODEL 233 PROTECTS 1/3 TO 3 HORSEPOWER, 230 VOLT PUMPS, THE MODEL 235 PROTECTS 5 TO 15 HORSEPOWER, 230 VOLT PUMPS. PumpSavers ARE USED ON SINGLE - PHASE PUMPS OF ALL KINDS: SUBMERSIBLE, CENTRIFUGAL AND JET PUMPS. APPLICATIONS OF PumpSaver INCLUDE: IRRIGATION WATER WELLS, COMMERCIAL WATER WELLS, RESIDENTIAL WATER WELLS, CIRCULATING PUMPS, COOLING PUMPS AND ENVIRONMENTAL PUMPS.

MODEL	ENCLOSURE	VOLTAGE	H. P. RATING	LIST
111P 111P-3R 111P-ENCL	OPEN NEMA 3R NEMA 3R W/LENS	115V	1/3-1HP	199.00 235.00 240.00
233P-1.5-ENCL 233P 233P-3R 233P-ENCL	NEMA 3R W/LENS OPEN NEMA 3R NEMA 3R W/LENS	230V	1/3-1-1/2HP 1/3-3HP	240.00 255.00 290.00 311.00
235P 235P-3R 235P-ENCL	OPEN NEMA 3R NEMA 3R W/LENS	230V	5 - 15HP	255.00 290.00 311.00
ORDER ONE 50-5 CURRENT TRANSFORMER FOR THE 235 SERIES ONLY (5 - 15 HP)				64.00

QUANTITY DISCOUNT: 50/5 FOR 6 OR MORE PUMPSAVER UNITS

PAGE L-7
 FEBRUARY - 2012



Pumpsaver®

SUBMERSIBLE PUMP PROTECTOR

FITS INSIDE THREE - WIRE CONTROL BOXES

STATE - OF - THE ART PUMP PROTECTION

PROTECTS SINGLE - PHASE PUMPS FROM:

- ~DRY WELL
- ~FLOW RESTRICTIONS (DEAD HEAD)
- ~OVERCURRENT (JAMMED IMPELLER)
- ~OVERVOLTAGE
- ~UNDERVOLTAGE

ADDITIONAL FEATURES:

- ~INFRARED LED COMMUNICATION TO DIAGNOSTIC TOOL
- ~FUZZY LOGIC SOFTWARE



THE MODEL 231 - INSIDER FITS INSIDE 1/3, 1/2, 3/4 AND 1 HP, 230V CONTROL BOXES. THE MODEL 111 - INSIDER FITS INSIDE THE 1/3 AND 1/2 115V CONTROL BOXES. APPLICATIONS OF THE INSIDERS INCLUDE: IRRIGATION WATER WELLS, COMMERCIAL WATER WELLS AND RESIDENTAL WATER WELLS.

MODEL	VOLTAGE	H. P. RATING	LIST
111-INSIDER-P	115V	1/3 - 1/2	170.00
231-INSIDER-P	230V	1/3 - 1	170.00



DIAGNOSTIC TOOL FOR SYMCOM'S PUMP SAVER

**STATE - OF - THE ART
 PUMP DIAGNOSTICS**

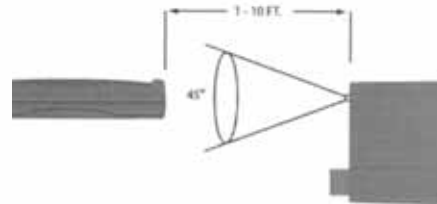
- ~INFRARED LED COMMUNICATIONS TO PUMPSAVER MODELS 111, 233, 233 - 3R, 231 - INSIDER, 231 - CB, 231 - JS
- ~16 PARAMETERS DISPLAYED FOR PUMP SYSTEM DIAGNOSIS
- ~HANDHELD, BATTERY POWERED

The Informer is a handheld diagnostic tool designed for use with single-phase PumpSaver models equipped with infrared LED transmitters.

The Informer uses an infrared receiver to access data sent from the PumpSaver, which can be helpful for troubleshooting the system. Each SymCom PumpSaver is equipped with an infrared LED that transmits information from the device. The Informer must be aimed at the PumpSaver as shown in the figure below. As soon as power is applied, the Informer begins receiving both past and present information and displays it on the LCD.

- The Informer displays parameters including:
- Real-time voltage, current, and power
 - Dry-well and overload trip points
 - Calibration voltage
 - Last fault
 - Voltage, current, and power at last fault
 - Highest/lowest voltage and current since last calibration

The green COMM STATUS light indicates when the Informer is receiving data from the PumpSaver. If communication is lost, the Informer will hold the last values it received.



MODEL	LIST
INFORMER	144.00



Motors[®]Saver

THREE PHASE ELECTRIC
MOTOR PROTECTION

PROGRAMMABLE MOTOR PROTECTOR

- ~OVER CURRENT
- ~UNDER CURRENT
- ~CURRENT UNBALANCE
- ~RAPID CYCLING
- ~SINGLE PHASING
- ~REVERSE PHASING

DESCRIPTION: THE MODEL 520CP IS A FULLY PROGRAMMABLE MICROPROCESSOR- BASED DEVICE DESIGNED FOR PROTECTING THREE PHASE PUMPS. THIS PROTECTION IS ACCOMPLISHED BY SENSING THE MOTOR CURRENT WITH THREE ISOLATED CURRENT TRANSFORMERS. TRIP LEVELS CAN BE SET BY THE USER TO ESTABLISH THE DESIRED DEGREE OF PROTECTION FOR THE FOLLOWING HAZARDOUS CONDITIONS: OVERCURRENT (OVERLOAD), UNDERCURRENT (DRY WELL OR DEAD HEAD), CURRENT UNBALANCE AND RAPID CYCLING.



PROTECTION AGAINST SINGLE PHASING AND REVERSE PHASING IS ALSO INCORPORATED INTO THE MODEL 520CP. WHENEVER ANY CONDITION EXISTS WHICH EXCEEDS THE PROGRAMMED THRESHOLD OF THE UNIT, AN OUTPUT RELAY ON THE MOTORSAYER IS DEACTIVATED AND IS NORMALLY USED TO REMOVE POWER TO THE MOTOR STARTER.

EACH MODEL 520CP IS EQUIPPED WITH A " MODE SELECT " (ROTARY SWITCH), A " CALIBRATION " ADJUSTMENT (PONENTIOMETER), A " RESET / PROGRAM" BUTTON" (PUSH BUTTON), AND A 3 - DIGIT DISPLAY. THESE FEATURES ALLOW THE USER TO PROGRAM TRIP LIMITS AND VARY PARAMETERS PLUS READ VALUABLE INFORMATION ABOUT THE STATUS OF THEIR SYSTEM.

MODEL	ENCLOSURE	VOLTAGE	H.P. RATING	LIST
520CP230	NO	230	ALL	697.00
520CP460	NO	460	ALL	697.00
CURRENT TRANSFORMERS H.P. (THREE PHASE)				
MODEL	230V	460V	LIST	
CT50-5	1 1/2 TO 10 HP	1 1/2 TO 25 HP	64.00	
CT100-5	15 TO 25 HP	30 TO 50 HP	64.00	
CT200-5	30 HP	60 TO 100 HP	64.00	
*THREE CURRENT TRANSFORMERS REQUIRED ON ALL THREE PHASE UNITS.				



Motors[®]Saver

THREE PHASE ELECTRIC
MOTOR PROTECTION

ELECTRONIC OVERLOAD FITS ALL MOTOR STARTERS

- PROTECTS THREE-PHASE MOTORS FROM:**
- OVERLOAD
 - SINGLE PHASING
 - UNDERLOAD
 - UNBALANCE (VOLTAGE & CURRENT)
 - HIGH VOLTAGE
 - GROUND FAULT
 - LOW VOLTAGE
 - RAPID CYCLING

- ADDITIONAL FEATURES:**
- 50:1 ADJUSTMENT RANGE
 - AUTOMATIC OR MANUAL RESET
 - RS485 COMMUNICATIONS (Software sold separately)
 - TAMPER GUARD
 - DIN RAIL OR SURFACE MOUNTABLE
 - FULLY PROGRAMMABLE
 - ALPHANUMERIC LED DIAGNOSTIC DISPLAY
 - LAST FAULT MEMORY
 - 5-YEAR WARRANTY WITH REGISTRATION



APPLICATION NOTES

The model 777 can be used on **any motor drawing from 2-700 amps**. External CT's are used above 90 amps. Applications include; **CONVEYER SYSTEMS, HVAC EQUIPMENT, PUMPS, SAWS, GRINDERS and OTHER THREE-PHASE ELECTRIC MOTORS.**

DESCRIPTION

The model 777 is a fully programmable electronic overload relay. An alphanumeric LED display provides programmable and diagnostic information. Sixteen parameters can be programmed in the model 777:

- | | |
|---------------------------------|---|
| 1) Low Voltage Set Point | 9) Rapid Cycle Timer (RD1) |
| 2) High Voltage set Point | 10) Overload Restart Delay (RD2) |
| 3) Voltage Unbalance Set Point | 11) Underload Restart Delay (RD3-Dry Well Recovery Timer) |
| 4) CT Size/Loops Setting | 12) No. of restarts after underload (Manual or Automatic) |
| 5) Overcurrent Trip Point | 13) RS485 Address |
| 6) Undercurrent Trip Point | 14) Number of restarts after underload fault |
| 7) Current Unbalance Trip Point | 15) Underload Trip Delay |
| 8) Trip Class (5,10,15,20,30) | 16) Ground Fault Trip Point |

Eight parameters can be viewed while motor is running:

- | | |
|--------------------|--------------------|
| 1) Average Current | 5) Average Voltage |
| 2) L1 Current | 6) L1-L2 Voltage |
| 3) L2 Current | 7) L2-L3 Voltage |
| 4) L3 Current | 8) L1-L3 Voltage |

MODEL	VOLTAGE	LIST
777-P2	200 - 480 VAC 3 PHASE 2 - 90 AMPS DIRECT 91-800 AMPS EXTERNAL CT'S REQUIRED	596.00
777-KW	200 - 480 VAC 3 PHASE 2 - 90 AMPS DIRECT 91-800 AMPS EXTERNAL CT'S REQUIRED	715.00
CONTROL CIRCUIT MUST BE 277 VAC OR LESS ON ABOVE UNIT		
777-HVR-P2	SAME AS ABOVE EXCEPT IT HAS A 480V CONTROL CIRCUIT	808.00



Pumpsaver®

SUBMERSIBLE PUMP PROTECTOR

ELECTRONIC OVERLOAD FITS ALL MOTOR STARTERS

PROTECTS SINGLE-PHASE MOTORS FROM:

- OVERLOAD •HIGH VOLTAGE
- UNDERLOAD •LOW VOLTAGE
- JAMS •RAPID CYCLING

ADDITIONAL FEATURES:

- 45:1 ADJUSTMENT RANGE
- AUTOMATIC OR MANUAL RESET
- RS485 COMMUNICATIONS (Software sold seperately)
- TAMPER GUARD
- DIN RAIL OR SURFACE MOUNTABLE
- FULLY PROGRAMABLE
- ALPHANUMERIC LED DIAGNOSTIC DISPLAY
- LAST FAULT MEMORY
- 5-YEAR WARRANTY WITH REGISTRATION



APPLICATION NOTES

The model 77C can be used on any single phase motor drawing from 2-700 amps. An external CT is used above 90 amps. Applications include; **CONVEYER SYSTEMS, HVAC EQUIPMENT, PUMPS, SAWS, GRINDERS and OTHER SINGLE-PHASE ELECTRIC MOTORS.**

DESCRIPTION

The model 777 is a fully programmable electronic overload relay. An alphanumeric LED display provides programmable and diagnostic information. Fifteen parameters can be programmed in the model 777:

- | | |
|----------------------------|---|
| 1) Low Voltage Set Point | 8) Overload Restart Delay (RD2) |
| 2) High Voltage set Point | 9) Underload Restart Delay (RD3-Dry Well Recovery Timer) |
| 3) CT Size/Loops Setting | 10) No. of restarts after underload (Manual or Automatic) |
| 4) Overcurrent Trip Point | 11) RS485 Address |
| 5) Undercurrent Trip Point | 12) Number of restarts after underload fault |

MODEL	VOLTAGE	LIST
77C - 250 OPEN	100 - 240 VAC, 1 PHASE	384.00
2 - 90 AMP DIRECT	91 - 700 AMP EXTERNAL CT REQUIRED	

*CHICO- (800) 342-6022 FAX (530) 342-6636 *FRESNO (800) 538-4100 FAX (559) 834-6800
 *RANCHO CORDOVA (800) 248-5225 FAX (916) 638-0344 *SANTA ROSA (888) 899-3565 FAX (707) 573-0308
 *TURLOCK (866) 669-0220 FAX (209) 669-0202 *SAN BERNARDINO (877) 796-8181 FAX (909) 799-8118



PREMIER PUMP & SUPPLY, INC.
 PROVIDING YOU WITH THE VERY BEST SERVICE IN THE INDUSTRY!



Franklin Electric

PUMPTEC

PUMPTEC	
SPECIFICATIONS:	FEATURES:
~HORSEPOWER 1/3 - 1 1/2 ~VOLTAGE 115V (90V TO 127V) 230V (180V TO 253V) ~FREQUENCY 60 HERTZ ~TRIP POINT FACTORY CALIBRATED ~RESET TIME ADJUSTABLE 2 - 90 MIN. ~APPROVAL UL/CSA	~EASY INSTALLATION ~COMPACT QUICK DISCONNECT BOX ~OUTDOOR ENCLOSURE (UL 3R) ~WORKS WITH ALL FRANKLIN 2 OR 3 WIRE SINGLE PHASE SUBMERSIBLE MOTORS 1/3 - 1-1/2HP. ~AUTO/MANUAL RESET ~SURGE RESISTANT
PUMPTEC - PLUS	
SPECIFICATIONS:	FEATURES:
~HOURSPOWER 1/2 - 5 HP ~VOLTAGE 230VAC 1 PHASE ~OVER/UNDER LOAD TRIP +/- 25% ~OVER/UNDER LOAD VOLTAGE TRIP +/-10% ~TRIP RESPONSE TIME 2.5 SEC. ~AUTO RESET TIME 1 MIN. - 4 HR.	~OVER/UNDER VOLTAGE PROTECTION ~OVER/UNDER LOAD PROTECTION ~RAPID CYCLE DETECTION ~MICROPROCESSOR CONTROLLED ~AUTOMATIC RESTART TIMER ~PUSH BUTTON CALIBRATION ~RUN INDICATOR LIGHTS ~FAULT INDICATOR LIGHTS ~30 AMP 5 HP HEAVY DUTY CONTACTOR ~SUITABLE FOR OUTDOOR USE ~EASY INSTALLATION

DESCRIPTION	LIST
PUMPTEC	270.00

DESCRIPTION	LIST
PUMPTEC - PLUS	507.00

QUANTITY DISCOUNT 50/5% ON ANY 3 PUMPTEC UNITS

*CHICO- (800) 342-6022 FAX (530) 342-6636 *FRESNO (800) 538-4100 FAX (559) 834-6800
 *RANCHO CORDOVA (800) 248-5225 FAX (916) 638-0344 *SANTA ROSA (888) 899-3565 FAX (707) 573-0308
 *TURLOCK (866) 669-0220 FAX (209) 669-0202 *SAN BERNARDINO (877) 796-8181 FAX (909) 799-8118



Franklin Electric

QD PUMPTEC

FEATURES	SPECIFICATIONS
~WORKS WITH ALL FRANKLIN 3 - WIRE SINGLE PHASE SUBMERSIBLE MOTORS 1/3 - 1 HP, 230 VOLT. ~EASY INSTALLATION - INSTALLS IN SECONDS. ~AUTO OR MANUAL RESET ~SURGE RESISTANT ~MOISTURE AND INSECT RESISTANT. ~SOLID STATE ELECTRONIC CIRCUITRY. ~MADE SPECIFICALLY FOR CONTROL BOX WITH BLUE RELAY.	VOLTAGE - 230V 60HZ HP RATING - 1/3 - 1 HP RESPONSE TIME - 4 SEC. RESET TIME - 3 MINUTES TO 90 MINUTES OR MANUAL RESET. TRIP POINT - FACTORY CALIBRATED APPROVAL - UL RECOGNIZED FOR U.S. AND CANADA.

ITEM	LIST PRICE
QD PUMPTEC	190.00



PREMIER PUMP & SUPPLY, INC.

PROVIDING YOU WITH THE VERY BEST SERVICE IN THE INDUSTRY!

Remote Control Technology

Simple Wireless Solutions

Applications Include: Pumps, Valves, Relays, Conveyors, Center Pivots, Lights, Alarm Systems, PLC Activation, Engine Controls, Wireless Automation.

Wireless Switch System 1

The Wireless Switch System 1 (WSS 1) is designed for short range (up to 1/2 mile*) and simple wireless switching. Applications where faulty wire replacement or new installation is not possible or practical, the WSS 1 is the simple solution for:



- Pump Control
- Valve Actuation
- Conveyor Control
- Gate Control
- Light Control
- Alarm Systems
- PLC Activation
- Engine Control
- Wireless Automation

The WSS 1 consists of a 1-input (12 VDC) transmitter and a 1-output (SPDT Class C Relay) receiver. Complete with power supplies and antennas, simply make your connections and the WSS 1 is ready for use and guaranteed to perform.

Operation

The WSS 1 is designed to be mounted to a wall or in an enclosure; the transmitter is triggered by supplying 12VDC to the terminals on the transmitter enclosure. Applying 12VDC to the transmitter activates the transmitter sending a coded set of instructions to the receiver. A two-position DIP switch allows the user to select 4 modes of operation, which controls transmission duration. The Receiver has several modes of operation. These modes determine how the output relay functions once a properly coded signal is received. A single position DIP switch located next to the Micro Controller allows the user to select the mode of operation for the output relay.

Solar Panel Kits: Turnkey, 12 VDC solar panel kits are available for locations without electricity.

Single Input Transmitter Specifications

Power Requirements	Supply Power: 12 VDC (Power Supply Included) XMIT Current: 300ma STBY Current: 12ma
Radio	Output: 1 Watt (1/2 mile Potential Range) Frequency: 27.145 MHz FM Security: 4096 Digital Codes FCC Part 95 Subpart E Compliance (No License required)
Modes of operation	Mode 1: 2 - 62 sec. transmission repeat Mode 2: 1 - 10 min. transmission repeat Mode 3: Continuous 5 min. transmission Mode 4: 1.5 sec. Burst Transmission

WSS 1 Transmitter



Power Supply
Input: 100-240 VAC
Output: 12 VDC

* The Range of all Radio products is dependent on local conditions and antenna selection/location.

Single Output Receiver Specifications

Power Requirements	Supply Power: 12 VDC (Power Supply Included) Relay ON Current: 40ma STBY Current: 10ma
Radio	Frequency: 27.145 MHz FM Bandwidth: +/- 2.5KHz Security: 4096 Digital Codes FCC Part 95 Subpart E Compliance (No License required)
Modes of operation	Relay Contact Rating: 5A @ 250 VAC Relay Type: SPDT Class C Mode 1: Momentary (MDM) Mode 2: Flip Flop (FF) Mode 3: Latching-on

WSS 1 Receiver



Power Supply
Input: 100-240 VAC
Output: 12 VDC



PREMIER PUMP & SUPPLY, INC.

PROVIDING YOU WITH THE VERY BEST SERVICE IN THE INDUSTRY!

Simple Wireless Switching

Transmitter Inputs:

- Tank Level Monitoring
- Smart Relay / PLC
- Motion Detection
- Infrared Landing System
- Wireless Engine Controls
- General Purpose Relay
- Switches

Receiver Outputs:

- General Purpose Pump
- Perimeter Security System
- Infrared Portable Landing Lights
- Mobile Spraying Equipment
- Solenoid Control Valve
- Conveyor System
- Center Pivot
- Control Lighting

Remote Control Technology
Simple Wireless Switching
www.remotecontroltech.com

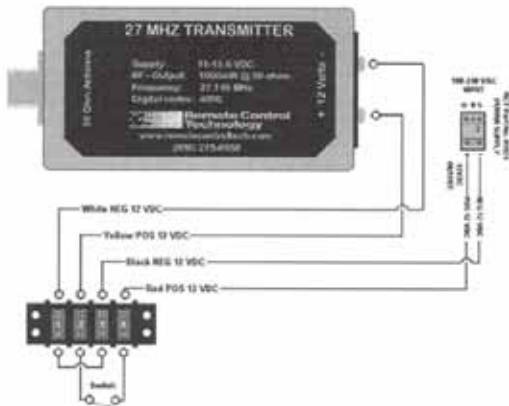
Transmitter Inputs

Copyright © 2002 - 2004 Remote Control Technology. All rights reserved.

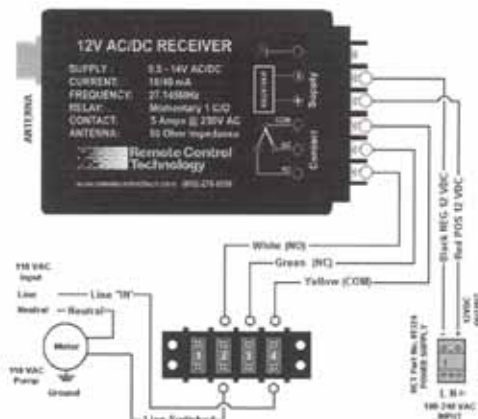
Receiver Outputs

Sample Wiring Diagrams

WSS 1 Transmitter



WSS 1 Receiver



PAGE L - 16
FEBRUARY - 2008



PREMIER PUMP & SUPPLY, INC.

PROVIDING YOU WITH THE VERY BEST SERVICE IN THE INDUSTRY!

Remote Control Technology

Simple Wireless Solutions

Applications Include: Pumps, Valves, Relays, Conveyors, Center Pivots, Lights, Alarm Systems, PLC Activation, Engine Controls, Wireless Automation.

Wireless Switch System 2

The Wireless Switch System 2 (WSS 2) is designed for intermediate range and simple wireless switching. Applications where faulty wire replacement or new installation is not possible or practical, the WSS 2 is the simple solution for:



- Pump Control
- Valve Actuation
- Conveyor Control
- Center Pivots
- Light Control
- Alarm Systems
- PLC Activation
- Engine Control
- Wireless Automation

The WSS 2 consists of a two-input (dry contact closure) transmitter and a two-output (12 VDC) receiver. Complete with power supplies and antennas, simply make your connections and the WSS 2 is ready for use and guaranteed to perform.

Operation

Operation is simple; connect a switch, relay, or any device with a dry contact closure to the transmitter inputs (terminal strip). When a contact is closed, the transmitter will immediately send an "ON" transmission to the receiver, changing the state of the selected receiver output from 0 VDC to 12 VDC @ 1 Amp. The receiver output can be used to activate a relay, solenoid, or a light. Immediately after a contact is open, the transmitter will send an "OFF" transmission to the receiver, changing the state of the selected output from 12 VDC to 0 VDC, turning off the connected device.

Solar Panel Kits: Turnkey, 12 VDC solar panel kits are available for locations without electricity.

2 Input Transmitter Specifications

Power Requirements	Supply Power: 12 VDC (Power Supply Included) XMIT Current: 600ma STBY Current: 1ma	<p>WSS 2 Transmitter</p>
Radio	Output: 2 Watt (2 mile Typical Range) Frequency: 27.255 MHz FM Format: PDTFM FSK FCC Part 95 Subpart E Compliance (No License required)	
Operational Environment	Indoor or Outdoor -40 degrees F to 140 degrees F	

Mounted in a weather-light ABS enclosure, the WSS 2 system is designed for outdoor/indoor industrial applications. The transmitter itself is housed in a time tested rugged aluminum enclosure and is designed to provide years of service. Remote Control Technology backs that up with a three year warranty. The transmitter has an output power of 2 watt @ 27.255 MHz. Typical range is approximately 2 miles* and with proper antenna application is not limited to line of sight communication.

2 Output Receiver Specifications

Power Requirements	Supply Power: 12 VDC (Power Supply Included) Output Current: 1amp per output STBY Current: 30ma	<p>WSS 2 Receiver</p>
Radio	Frequency: 27.255 MHz FM Superhetrodyne FM Receiver FCC Part 15 Compliance (No License required)	
Operational Environment	Indoor or Outdoor -40 degrees F to 140 degrees F	

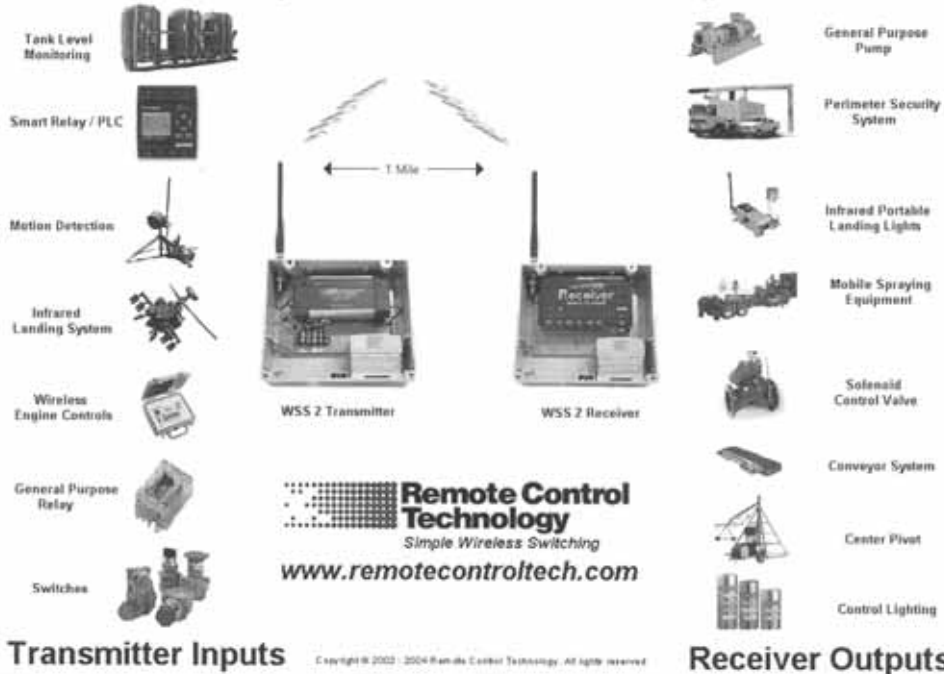
* The Range of all Radio products is dependent on local conditions and antenna selection/location.



PREMIER PUMP & SUPPLY, INC.

PROVIDING YOU WITH THE VERY BEST SERVICE IN THE INDUSTRY!

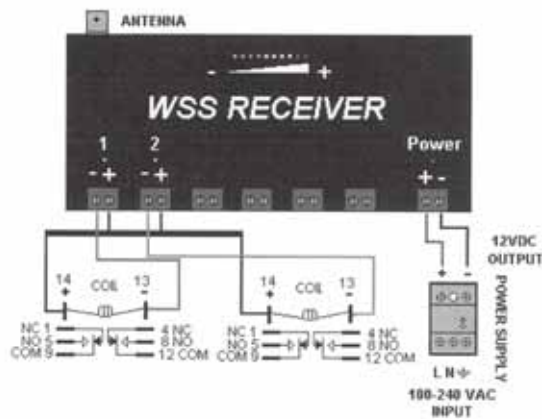
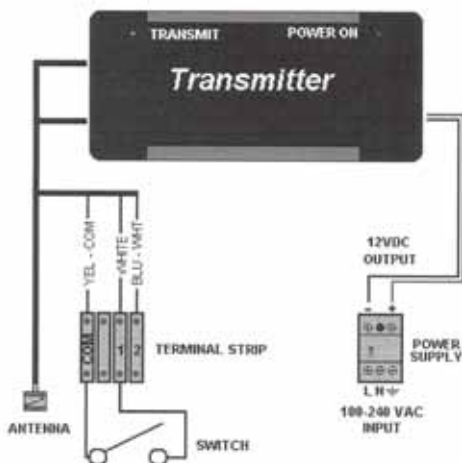
Simple Wireless Switching



Sample Wiring Diagrams

Installation Instructions

1. Connect one wire of your two wire dry contact closure for input "1" to the terminal strip labeled "1" on the transmitter. Connect the other wire to the terminal strip to the left of the terminal labeled "COM".
 2. Repeat step 1 for additional contact closures.
 3. To energize receiver output relay "1" connect the positive and negative relay wires to the terminal block labeled "1" on the receiver.
 4. Repeat step 3 for additional outputs.
 5. Remove screw from power supply to access the 110-240 VAC Connection.
 6. Connect your 110-240 VAC power to the IDEC 12VDC power supply.
- Install antenna or coax cable with BNC connector to the BNC connector on the bottom of transmitter enclosure. (Do not loop excess coaxial cable into a coil. This will cause a RF (radio frequency) choke and reduce your signal range. If you can, loosely route it back and forth in an "S" configuration).





PREMIER PUMP & SUPPLY, INC.

PROVIDING YOU WITH THE VERY BEST SERVICE IN THE INDUSTRY!

RF wireless remote controls include FM transmitters & receivers



Remote Control Technology

Simple Wireless Switching



Industrial Product Accessories

Remote Control Technology offers the following accessories for its line of RF wireless remote controls for SCADA, PLC and other **industrial** applications.

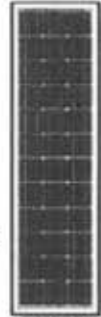
FM Antennas

Choosing the right antenna and location of any RF product is a critical factor in determining how well the RF product will work. While there are many antennas on the market, Remote Control Technology has selected a few that work best with our products.



55W Solar Panel Kit

The Remote Control Technology 55-Watt Solar Power System is a complete, fully integrated power supply designed for site loads requiring 12 volts DC. Each system provides safe and reliable power generation without the need and expense of installing utility power.



55W 12VDC

10W Solar Panel Kit

The Remote Control Technology 10-Watt Solar Power System is a complete, fully integrated power supply designed for site loads requiring 12 volts DC. Each system provides safe and reliable power generation without the need and expense of installing utility power.



Part Number Guide

Need a part number for a product that interests you? Lost a unit and need to find the replacement part number. Here is the place to get it.

Electronic Wire Locator

The Wire Locator is an electronic wire locator for tracing the path of underground or in-building services.





PREMIER PUMP & SUPPLY, INC.
 PROVIDING YOU WITH THE VERY BEST SERVICE IN THE INDUSTRY!

**Remote Control
Technology**

WIRELESS SWITCH SYSTEMS - LRWSS, MRWSS, SRWSS		LIST
01210	SIX CHANNEL SYSTEM: LRWSS STATIONARY TX / RX IN NEMA ENCLOSURE WITH ANTENNAS	7214.50
01216	SIX CHANNEL LRWSS STATIONARY RECEIVER IN NEMA ENCLOSURE WITH ANTENNA	4385.50
01217	SIX CHANNEL LRWSS STATIONARY TRANSMITTER IN NEMA ENCLOSURE WITH ANTENNA	3678.00
01240	TWO CHANNEL SYSTEM MRWSS STATIONARY TX / RX IN WEATHER TIGHT PLASTIC ENCLOSURE WITH ANTENNA	3253.60
01241	TWO CHANNEL MRWSS RECEIVER IN PLASTIC ENCLOSURE WITH ANTENNA	1980.50
01242	TWO CHANNEL MRWSS TRANSMITTER IN PLASTIC ENCLOSURE WITH ANTENNA	1669.25
01245	ONE CHANNEL SYSTEM SRWSS STATIONARY TX / RX	1980.50
01246	ONE CHANNEL SRWSS STATIONARY RX WITH POWER SUPPLY	1188.25
01247	ONE CHANNEL SRWSS STATIONARY TX WITH POWER SUPPLY	990.25
5810XS	EIGHT CHANNEL SRWSS STATIONARY SYSTEM WITH ANTENNA IN WEATHER RESISTANT PLASTIC	2971.00
5810XR	EIGHT CHANNEL SRWSS STATIONARY RECEIVER WITH ANTENNA IN WEATHER RESISTANT PLASTIC	1698.00
5810XT	EIGHT CHANNEL SRWSS STATIONARY TRANSMITTER WITH ANTENNA IN WEATHER RESISTANT PLASTIC	1485.50
WIRELESS MULTI-SWITCH CONTROLLERS - WMSC		
01261	WMSC HANDHELD TRANSMITTER WITH ANTENNA	2546.50
01262	WMSC STATIONARY RECEIVER WITH 16 OUTPUTS	4527.00
01263	WMSC STATIONARY RECEIVER WITH 8 OUTPUTS	3112.00
01264	WMSC STATIONARY RECEIVER WITH 2 OUTPUTS	2263.50
SHORT RANGE WIRELESS SWITCH SYSTEMS HANDHELD 27MHZ - SRWSS		
5109THD	ONE CHANNEL HANDHELD 27MHz TX SRWSSHH1	594.00
5112RHD	ONE CHANNEL RX WITH ANTENNA IN WEATHER RESISTANT PLASTIC ENCLOSURE SRWSS1	1132.00
5209THD	TWO CHANNEL HANDHELD 27MHz TX SRWSSHH2	615.50
5212RHD	TWO CHANNEL RX WITH ANTENNA IN WEATHER RESISTANT PLASTIC ENCLOSURE SRWSS2	1273.00
5409THD	FOUR CHANNEL HANDHELD 27MHz TX SRWSSHH4	636.50
5412RHD	FOUR CHANNEL RX WITH ANTENNA IN WEATHER RESISTANT PLASTIC ENCLOSURE SRWSS4	1450.00
5809THD	EIGHT CHANNEL HANDHELD TX 27MHz SRWSSHH8	707.50
5812RHD	EIGHT CHANNEL RX WITH ANTENNA IN WEATHER RESISTANT PLASTIC ENCLOSURE-27MHz SRWSS8	1697.50
WIRELESS DATA CONTROLLER		
03104S	WIRELESS DATA CONTROLLER SYSTEM IN NEMA 4X ENCLOSURE	9902.00
03104	WIRELESS DATA CONTROLLER (WDC-3000) IN NEMA 4X ENCLOSURE	5941.50



PREMIER PUMP & SUPPLY, INC.

PROVIDING YOU WITH THE VERY BEST SERVICE IN THE INDUSTRY!



Remote Control Technology

ANTENNAS AND MOUNTING HARDWARE		LIST
01610	8" WHIP ANTENNA WITH BNC CONNECTOR	106.00
01940	42" FRANCIS ANTENNA (GROUND PLANE REQUIRED)	148.50
01948	HIGH GAIN 433MHZ ANTENNA WITH MOUNT AND 10' CABLE TO BNC	247.50
01941	MAGNET MOUNT BASE WITH 8" TUNED ANTENNA AND 1' CABLE TO BNC	148.50
01943	8" TUNED ANTENNA	106.00
01949	MAGNET MOUNT BASE ONLY WITH 10' CABLE TO BNC	89.00
01960	RIGHT ANGLE ANTENNA MOUNT	89.00
01961	FLAT ANTENNA MOUNT	89.00
POWER SUPPLIES		
01924	IDEC 12V 7.5W POWER SUPPLY	148.50
01929	IDEC 12V 15W POWER SUPPLY	191.00
SOLAR PANEL KITS		
09612	12 VDC 20W SOLAR PANEL	3763.00
09613	12VDC 10W SOLAR PANEL	1697.00
09614	12 VDC 40W SOLAR PANEL	4555.00
09615	12 VDC 55W SOLAR PANEL	5347.00
ACCESSORIES		
RG58-3	3' COAX CABLE WITH BNC CONNECTORS (50 OHM)	21.25
RG58-10	10' COAX CABLE WITH BNC CONNECTORS (50 OHM)	30.00
RG58-25	25' COAX CABLE WITH BNC CONNECTORS (50 OHM)	40.00
RG58-50	50' COAX CABLE WITH BNC CONNECTORS (50 OHM)	50.00
RG58-100	100' COAX CABLE WITH BNC CONNECTORS (50 OHM)	99.00
01962	BNC-PL259 ADAPTOR	21.25
01955	BNC-BNC COUPLER ADAPTOR	21.25
01963	PANEL MOUNT BNC-BNC FEED THRU CONNECTOR	21.25
01965	PANEL MOUNT BULKHEAD BNC CONNECTOR	21.25
01957	BNC-T COUPLER	30.00
01964	LIGHTNING ARRESTOR	40.00